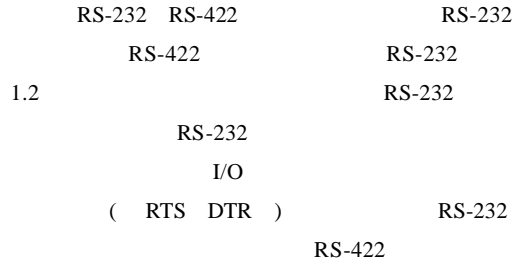




# UT-205A

## RS-232/RS-422



115.2Kbps

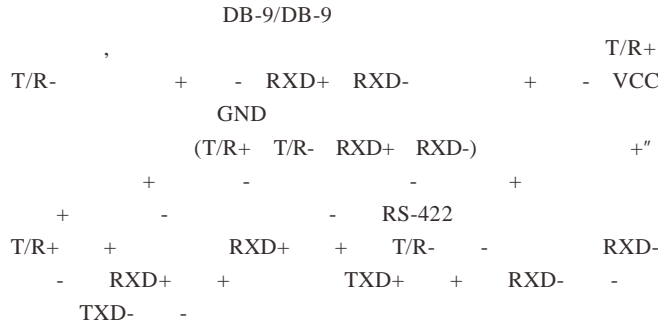
1	EIA/TIA	RS-232C	RS-422
2	RS-232	DB9	RS-422
3		DB9	
4			
5	300bps-115.2Kbps		
6	63mm × 35mm × 17mm		
7	-40	85	5% 95%
8	1,200	RS-485	5 RS-232

### RS-232C

DB9 Female (PIN)	RS-232C
1	
2	SOUT (TXD)
3	SIN (RXD)
4	DTR
5	GND
6	DSR
7	RTS
8	CTS
9	RI

### RS-422

DB9 Male (PIN)		RS-422
1	T/R+	(A+)
2	T/R-	(B-)
3	RXD+	(A+)
4	RXD-	(B-)
5	GND	
6	VCC	5V



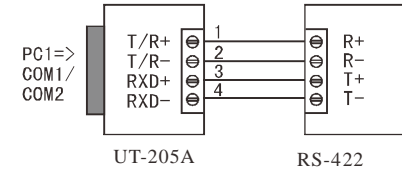
### UT-205A

1	/
2	/

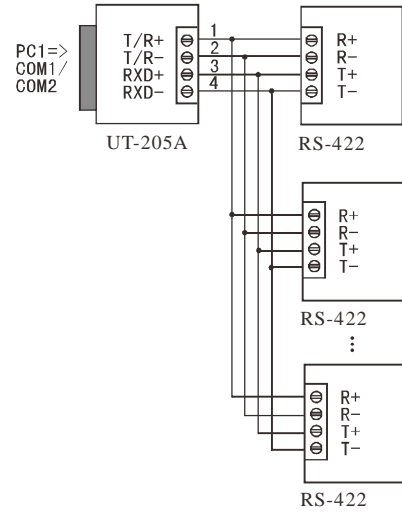
120 1/4W

RS-232 RS-422

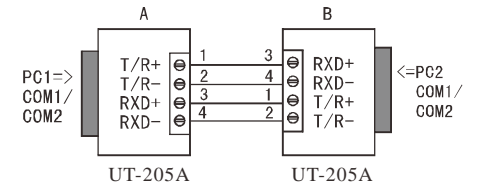
### RS-422



### RS-422



### UT-205A



1	A	RS-232
	B	RS-422
	C	
2	A	